

Majestic - Wide Spread Bathroom Faucet



- * Wide Spread 6" - 10" Center-set, 3 Hole Installation
- * Includes Brass Pop-up Drain
- * 3-7/8" High and 5-1/8" Long One Piece Solid Cast Brass Spout, Zinc Handle
- * Solid Brass Waterway Construction with 1/2" - 14 NPSM Connection
- * "Quick Connect" Type Connection Hose
- * 1/4 Turn Premium Grade Ceramic Cartridges (Type J)
- * Flow Rate: 1.2GPM
- * 100% Pressure System Tested

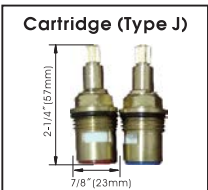
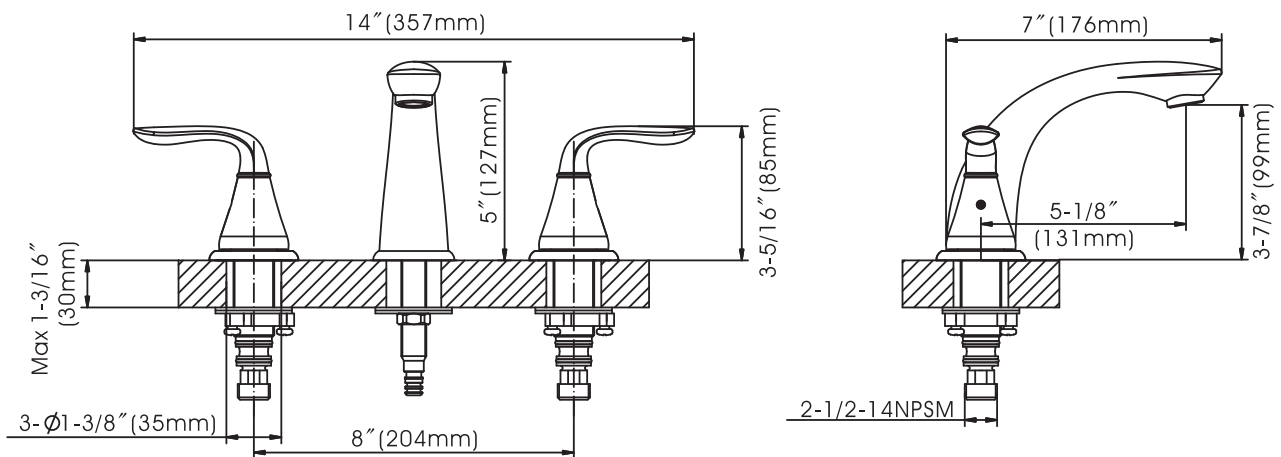
Project / Job Name	
Architect / Engineer	
Contractor	
Model	
Quantity	

Model No. :

211-6611 (CH)
 (Shown Model)

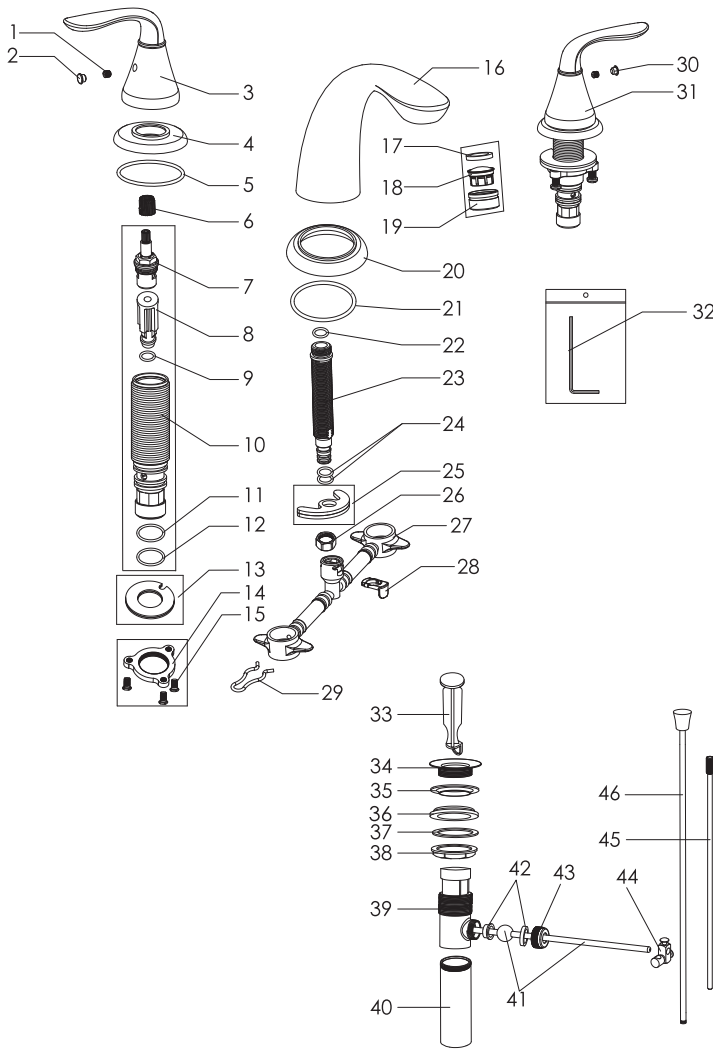
211-6612 (BN *Spotless PVD*)

211-6613 (ORB)



- Product Compliance:**
- ASME A112.18.1 / CSA B125.1
 - NSF 61 - Section 9
 - NSF 372 (Low Lead Content)
 - ANSI A117.1 (ADA)
 - EPA - Water Sense

Majestic - Wide Spread Lavatory Faucet



Model No. :

201-6611 (Polished Chrome)

201-6612 (Brushed Nickel **Spotless PVD**)

201-6613 (Oil-Rubbed Bronze)

No.	Part Name	Material
1	Index(Hot)	Stainless Steel
2	Set Screw	Rubber
3	Handle	Zinc
4	Handle Flange	Zinc
5	O-Ring	Rubber
6	Handle Adapter	Plastic
7	Cartridge(Hot Water)	Brass
8	Cartridge Seat	Brass
9	O-Ring	Rubber
10	Brass Valve Body	Brass
11	O-Ring	Rubber
12	O-Ring	Rubber
13	Clamp	Rubber+Stainless Steel
14	Lock Nut	Zinc
15	Screw	Stainless Steel
16	Spout	Brass
17	Aerator Washer	Rubber
18	Aerator Core	Plastic
19	Aerator Collar	Brass
20	Spout Flange	Zinc
21	O-Ring	Rubber
22	O-Ring	Rubber
23	Inlet	Brass
24	O-Ring	Rubber
25	Clamp	Rubber+Stainless Steel
26	Lock Nut	Brass
27	Quick Connect Hose	Plastic
28	Plastic Lock Ring	Plastic
29	Clip	Stainless Steel
30	Index(Cold)	Rubber
31	Cartridge(Cold Water)	Brass
32	Allen Key	Steel
33	Drain Stopper	Plastic+Brass
34	Flange	Brass
35	Top Rubber Washer	Rubber
36	Bottom Rubber Washer	Rubber
37	Washer	Plastic
38	Lock Nut	Zinc
39	Drain Body	Brass
40	Tailpiece	Stainless Steel
41	Horizontal Rod	Plastic+Stainless Steel
42	Rod Ball Plastic Gasket	Plastic
43	Rod Guide Nut	Brass
44	Fittings	Brass
45	Extend Rod	Stainless Steel
46	Lift Rod	Brass

Cartridge (Type J)



Technical Support: warranty@cmiproduct.com
 Hour of Operation: Mon - Fri 8:30 a.m - 5:00 p.m. EST